



Simplos

Multi-Purpose Shelving



Simplos shelving

The Simplos system provides the best solution for a broad range of storage applications that conform with manually handled light and medium loads.

The main characteristics of the Simplos system are as follows:

- **Easy and rapid assembly.** The main components connect together.
- **Flexibility.** With no tools, shelf heights and levels can be easily adjusted, offering a countless number of combinations to meet various storage requirements.
- **Good shelf load capacity range.**
- **Solid construction.** The assembly of the main components provides the Simplos system with great strength.
- **Smart and attractive design.** A state-of-the-art design combined with a perfect finish makes the Simplos system suitable for any environment.
- **Versatility.** A wide range of accessories and components along with a variety of shelf sizes enable the system to be adaptable to any available space.
- **Easily compatible.** The combination of Simplos shelving with other Mecalux products such as Mezzanine floors and Longspan Picking Shelving among others proves to be extremely easy since Simplos is designed and manufactured under the same criteria.
- Simplos **can be extended** in height, length or width.

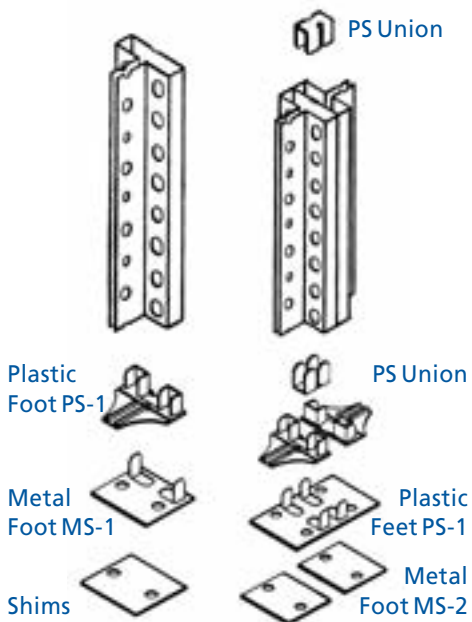
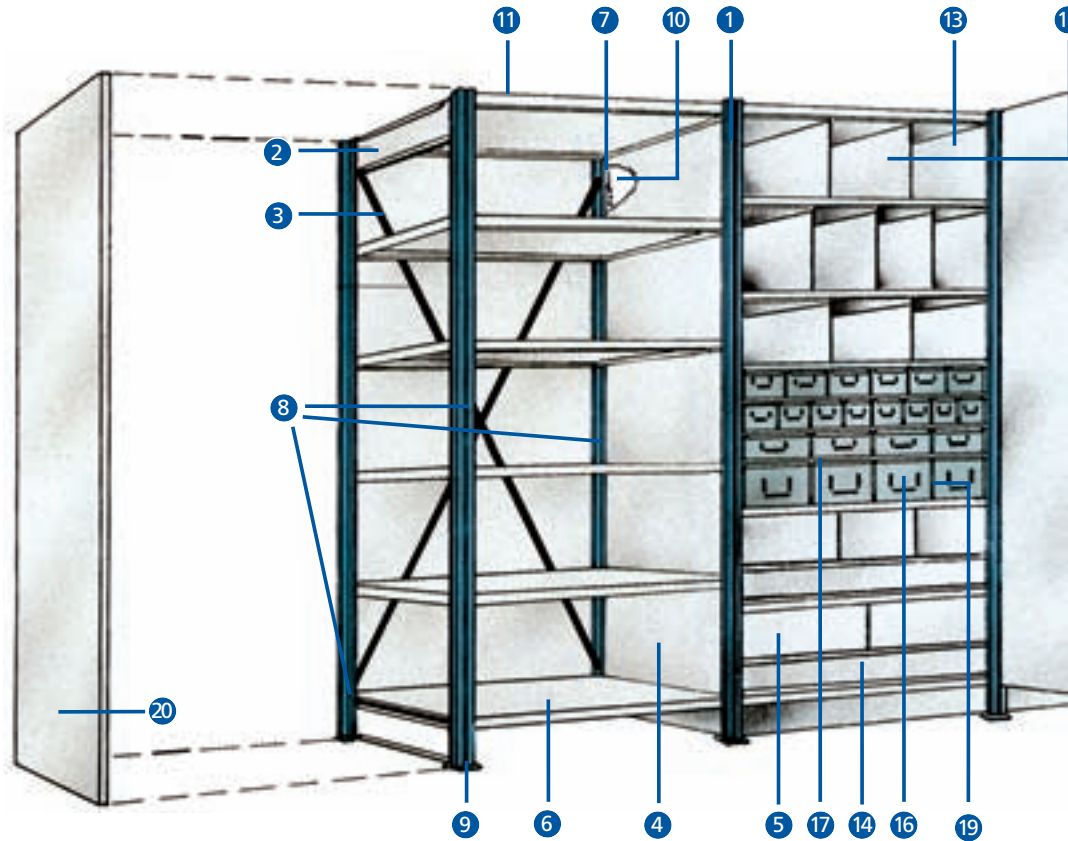
The strength and versatility of the Simplos are manifest in three very important aspects:

- The capacity to provide a multitude of storage applications thanks to various accessories such as side and back cladding, drawers, dividers and doors among many others.
- By offering the possibility of building up installations with two or more floors in height by incorporating gangways and stairs, making full use of the available storage space.
- Simplos is fully adaptable to different load types and weights.

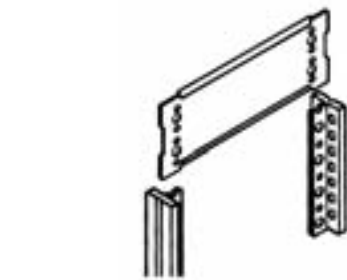


Main components

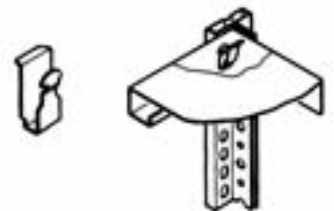
1. Upright
2. Cross tie
3. Cross bracing
4. Lateral sheet
5. Back sheet
6. Shelf
7. Shelf support clip
8. Bolt
9. Foot
10. Fixing clip
11. Beam
12. Plinth
13. Slotted shelf
14. Shelf retainer
15. Slotted shelf divider
16. Drawers
17. Drawer guides
18. Door panels
19. Drawer divider
20. Decorative end panel



Upright (1). The lateral and interior sides of the uprights have slots every 25 mm in order to facilitate the insertion of various components. The PS unions are designed to join two uprights when required. The metal feet fit into the lower ends of the uprights in order to reinforce their stability on the floor.



Cross tie (2). The cross ties are bolted to the uprights providing the shelving with transverse stability.



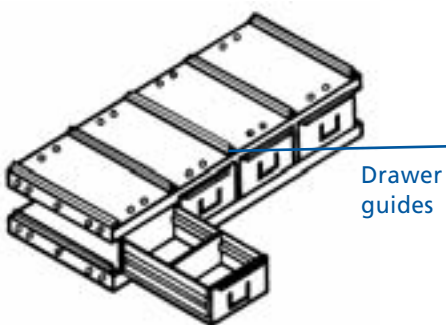
Shelf support clip (7). Shelves which are not supported by beams require four shelf support clips.



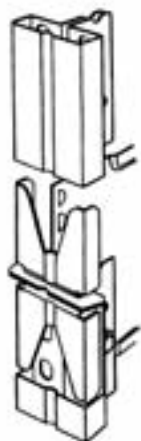
Beam (11). When cross bracing and back sheets are not used, the fitting of shelf beams will provide greater rigidity. In addition, shelf beams increase the loading capacity of the shelves.



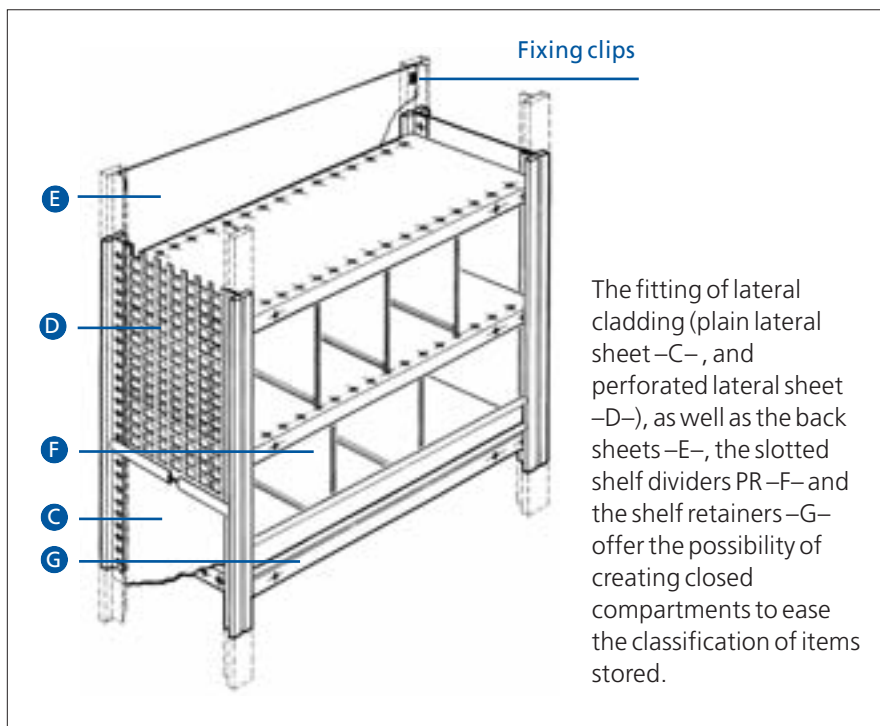
Plinth (12). The plinths are fitted onto the bottom part of the shelving in order to prevent the accumulation of dirt underneath the shelving, and contribute to achieving greater stability to the system.



Drawers (16). The drawers, with different sizes, are ideal for classifying and organising small items.

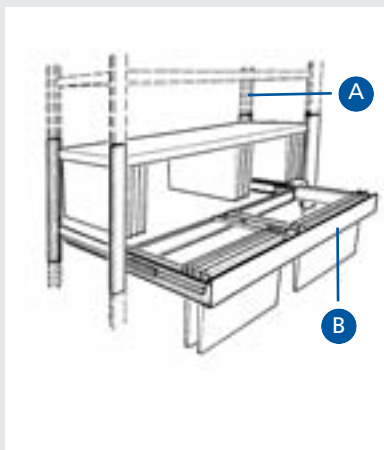


Splice union. The splice union PS fits into the end of the uprights permitting an extension to the height of the Shelving.



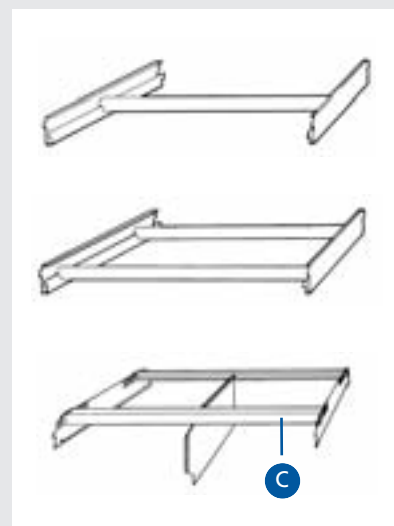
The fitting of lateral cladding (plain lateral sheet -C-, and perforated lateral sheet -D-), as well as the back sheets -E-, the slotted shelf dividers PR -F- and the shelf retainers -G- offer the possibility of creating closed compartments to ease the classification of items stored.

Accessories



Hanging files
Hanging files can be organised using three variants:

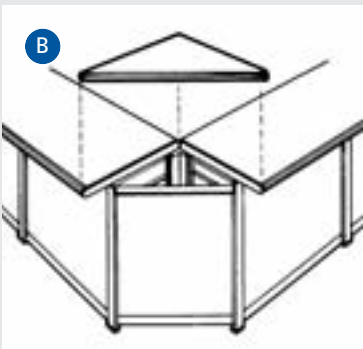
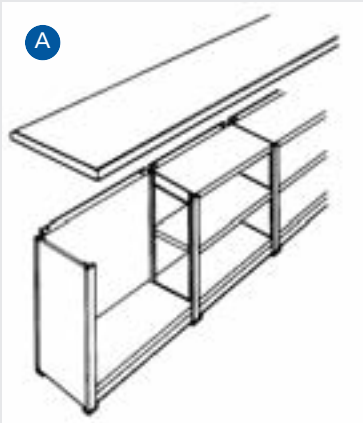
- A - Hanging shelf file
- B - Pull out file frame
- C - Static file frame



The tubular hanger frame
It is available with 1 or 2 tubes and can be used either to hang clothing items, samples, for cylindrical objects or even objects of irregular shape.

Counters

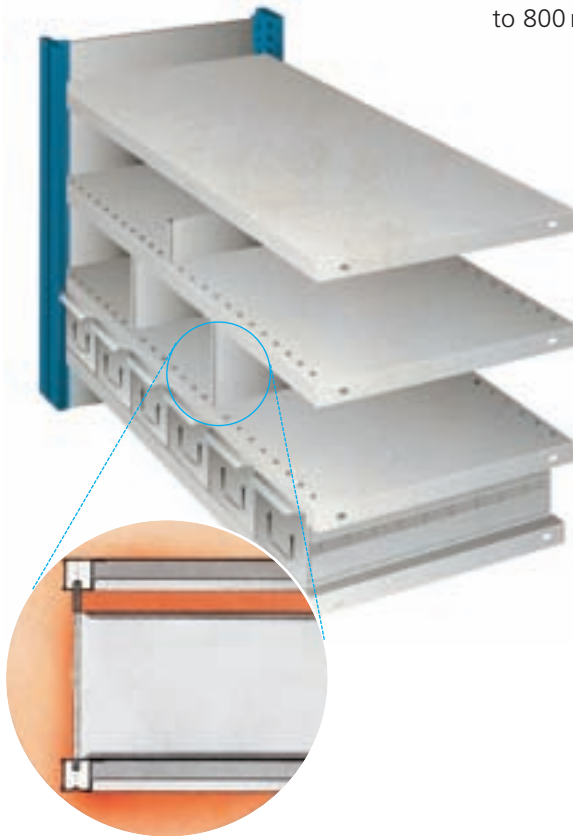
The counters, which are assembled in a similar manner to the Simplos shelving, can be arranged either in a straight line (A), with an exterior angle (B) or with an interior angle (C).



High resistance HD Shelves

The Simplos system also incorporates heavy duty steel shelves which are designed for medium and heavy loads. These shelves are manufactured from a single piece of pre-galvanized steel sheet, which is shaped throughout various folds for added strength.

The HD shelves, along with the SHD shelf support clip, can hold a uniformly distributed load from



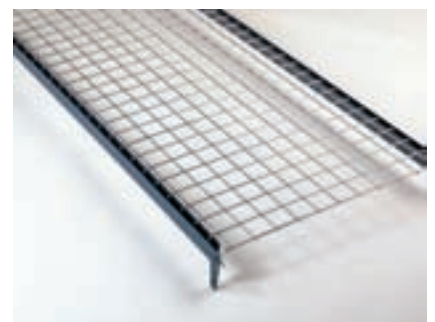
125 kg up to 280 kg. Their standard sizes are 1000, 1250 and 1400 mm in length, by 400, 500 and 600 mm in depth. However, Mecalux can also manufacture other sizes with a maximum length of 1600 mm and up to 800 mm deep.

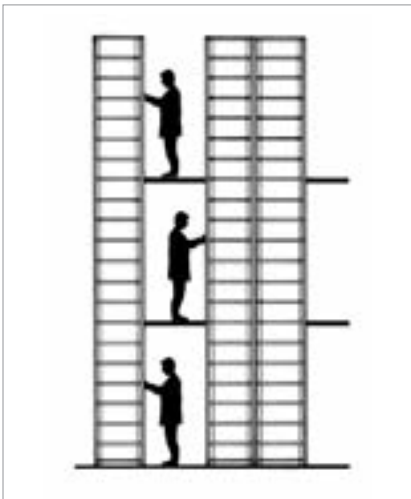


Along the front face of the HD shelves there is a continuous channel that enables the possibility of placing card holders. There is a choice of plain or slotted HD shelves and the latter permits the fitting of vertical dividers.

Mesh Shelf Panels

They are designed to permit water to pass through in areas where a fire protection system is required.



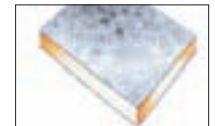


Floor

Simplos systems are suited for a wide and varied range of uses, from a small-scale filing system to the most complex industrial installations.



Chipboard flooring



Melamine chipboard flooring



Striate metallic flooring



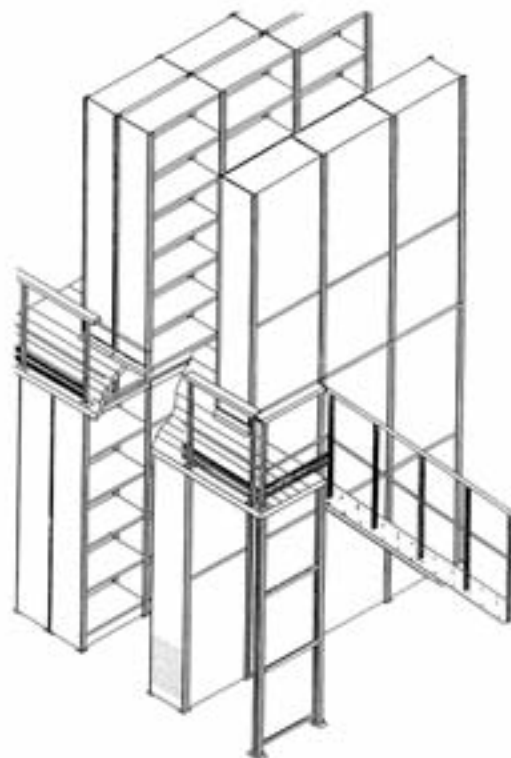
Perforated metallic flooring



Slotted metallic flooring



Grid flooring



When calculating an installation with various floors in height, the number of gangways will be determined by the total height of the installation, taking into account that the recommended height between gangways ranges from 2200 to 2500 mm. The access to the different floors is by means of pre-assembled staircases. In addition, the gangways can be supplied in the form of chipboard or metallic flooring.

The technical Department of Mecalux will analyse each particular installation in order to provide clients with the best storage solution.



HEAD OFFICE - SPAIN - Silici, 1 - 08940 Cornellà de Llobregat - Barcelona
Tel. +34 932 616 913 – info@mecalux.com – www.mecalux.com

EUROPE

BELGIUM

Tel. +32 2 346 90 71
info@mecalux.be
www.mecalux.be

CZECH REPUBLIC

Tel. +420 222 524 240
info@mecalux.cz
www.mecalux.cz

FRANCE

Tel. +33 01 60 11 92 92
info@mecalux.fr
www.mecalux.fr

GERMANY

Tel. +49 (0) 2131 40 760
info@mecalux.de
www.mecalux.de

ITALY

Tel. +39 02 98836601
info@mecalux.it
www.mecalux.it

NETHERLANDS

info@mecalux.co.nl
www.mecalux.co.nl

POLAND

Tel. +48 32-331 69 66
info@mecalux.pl
www.mecalux.pl

PORTUGAL

Tel. +351 21 415 18 90
info@mecalux.pt
www.mecalux.pt

SLOVAKIA

Tel. + 421 220 545 117
info@mecalux.sk
www.mecalux.sk

TURKEY

Tel. +90 216 706 10 15
info@mecalux.com.tr
www.mecalux.com.tr

UNITED KINGDOM

Tel. +44 0121 3336 602
info@mecalux.co.uk
www.mecalux.co.uk

AMERICA

ARGENTINA

Tel. +54 (11) 4006-4444
info@mecalux.com.ar
www.mecalux.com.ar

BRAZIL

Tel. +55 11 4134-2155
info@mecalux.com.br
www.mecalux.com.br

CHILE

Tel. +56 (2) 2827 6000
info@mecalux.cl
www.mecalux.cl

USA

Tel. 1-877-632-2589
info@interlakemecalux.com
www.interlakemecalux.com

MEXICO

Tel. +52 (664) 647 22 00
info@mecalux.com.mx
www.mecalux.com.mx

PERU

Tel. +51 (1) - 422 6060
info@mecalux.pe
www.mecalux.pe

URUGUAY

Tel. +598 2683-8879
info@mecalux.com.uy
www.mecalux.com.uy

